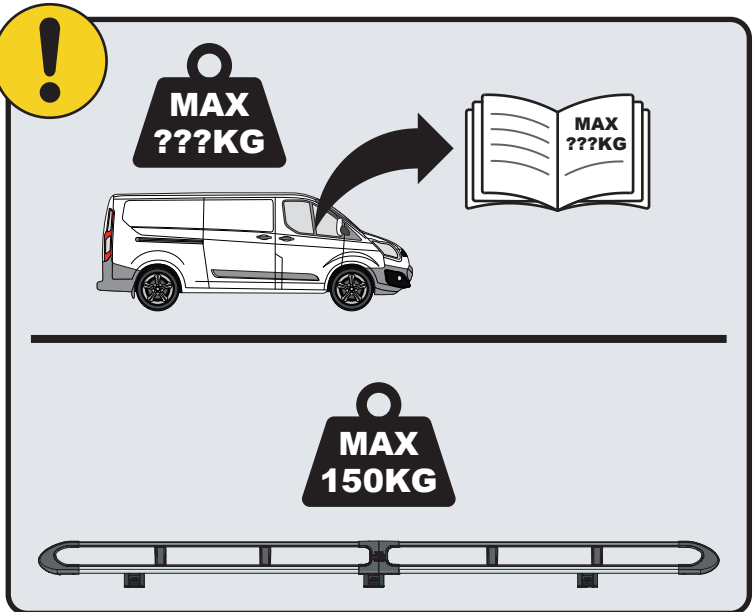
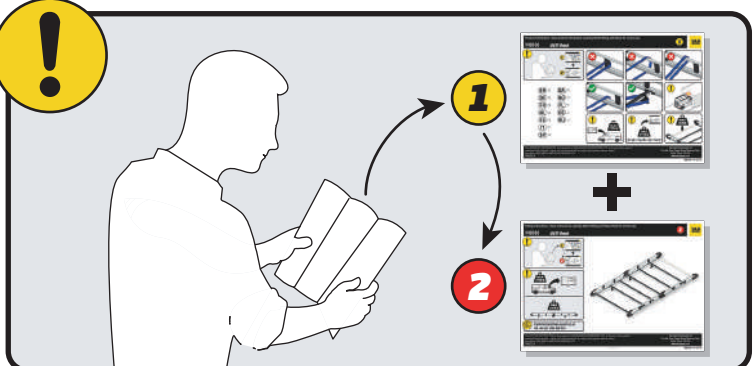


IN8322

ULTI Rack+



 Customercare@van-guard.co.uk
UK +44 (0) 1392 368 351



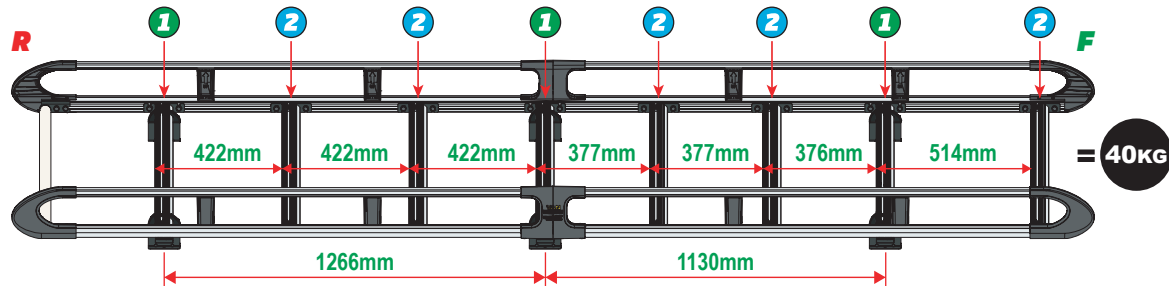
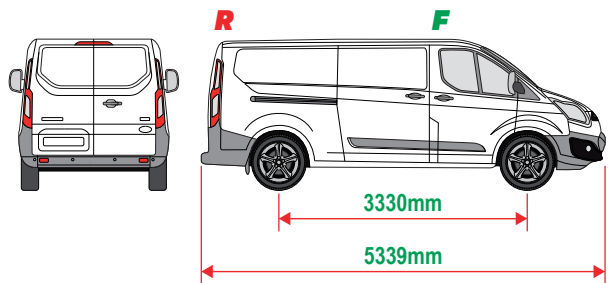
This FITTING INSTRUCTION is the property of VAN GUARD ACCESSORIES LTD. and must not be used for manufacturing purposes, copied nor communicated in any way to third parties without written permission from VAN GUARD ACCESSORIES LTD.
IN8322_A (CN:NR)

Van Guard Accessories Ltd
Fair Oak Close, Exeter Airport Business Park,
Exeter, Devon, EX5 2UL
www.van-guard.co.uk

THIS INSTRUCTION COVERS THE FOLLOWING MODELS - CHECK YOU ARE FITTING THE CORRECT MODEL BEFORE PROCEEDING

VGUR-251

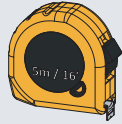
Ford Transit Custom: 2012 on
L2H1 (LWB)
Twin Rear Doors



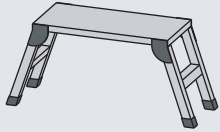
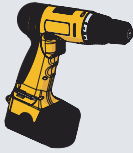
SUPPLIED COMPONENTS - CHECK ALL PARTS ARE PRESENT AND CORRECT BEFORE PROCEEDING (1 OF 2)

TOOLS REQUIRED

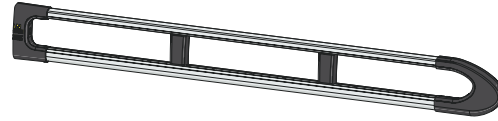
10MM X1



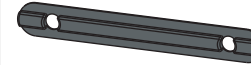
13MM X1



AS3545 X2
(3400 / A)



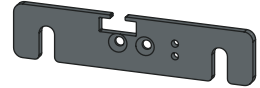
MA6118 X16



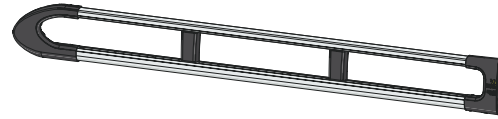
FX4241 X36



ME1622 X5



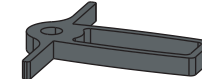
AS3544 X2
(3400 / B)



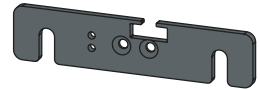
FX4008 X1



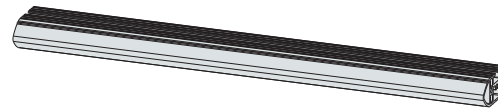
MA6145 X1



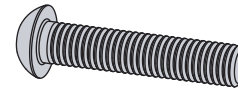
ME1623 X5



ME1628 X8
(1554mm)



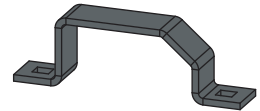
FX4001 X2
(M8X40)



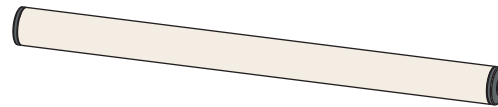
FX4235 X32
(M5X25)



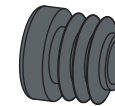
ME0203 X6



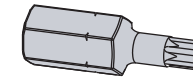
AS3160 X1
(1540mm)



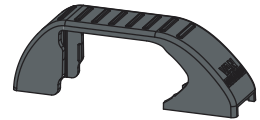
MA6007 X4



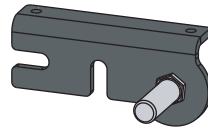
FX4248 X1
(T25)



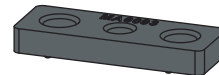
MA6065 X6



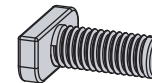
AS3590 X1



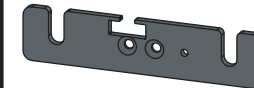
MA6093 X16



FX4239 X36
(M8X20)



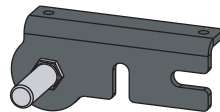
ME1620 X3



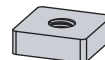
FX4016 X12
(M6)



AS3591 X1



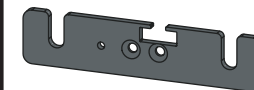
ME0316 X16



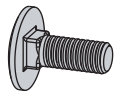
FX4240 X36
(M8)



ME1621 X3

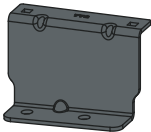


FX4042 X12
(M6X16)



SUPPLIED COMPONENTS - CHECK ALL PARTS ARE PRESENT AND CORRECT BEFORE PROCEEDING (2 OF 2)

ME0772 X2

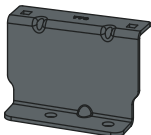


FX4019 X12

(M8)



ME0773 X2

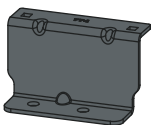


FX4020 X12

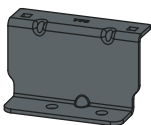
(M8)



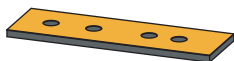
ME0774 X1



ME0775 X1

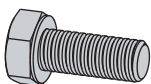


MA6022 X6



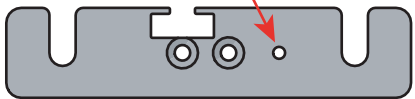
FX4018 X12

(M8X20)



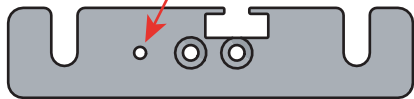
01

1L



X3

1R



X3



2L



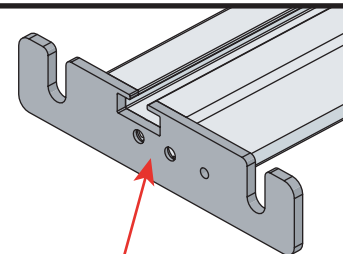
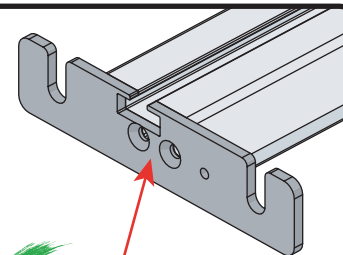
X5

2R



X5

02



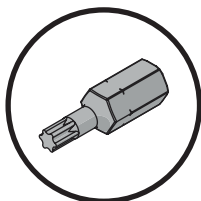
03

01

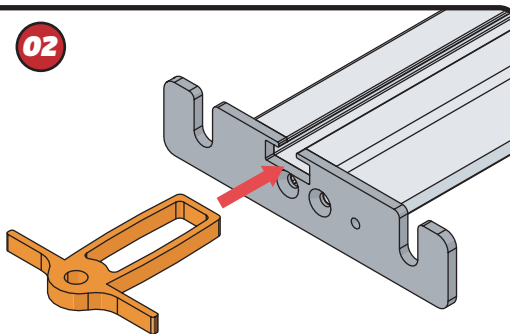
FX4248



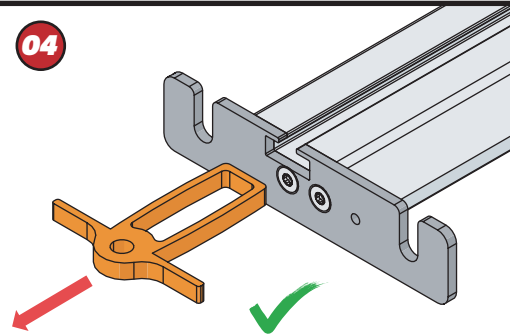
+



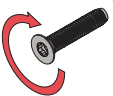
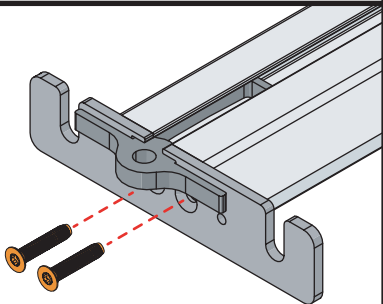
02



04



03

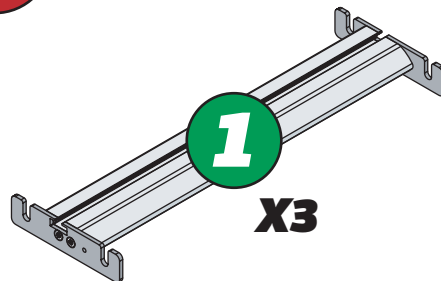


11Nm

04

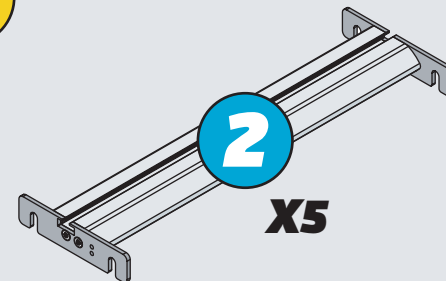


1

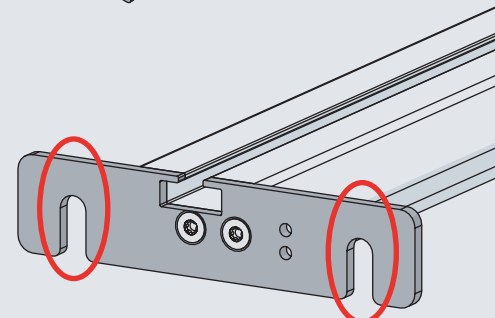
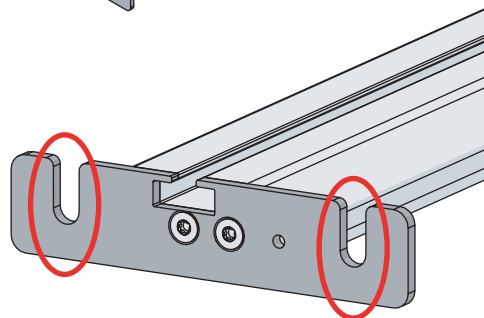


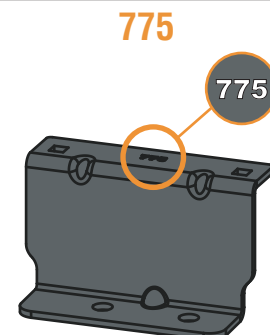
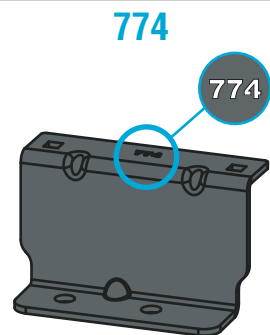
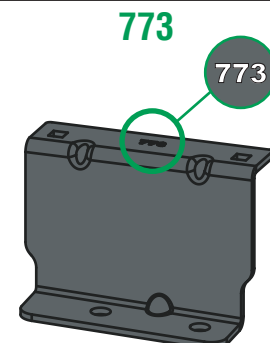
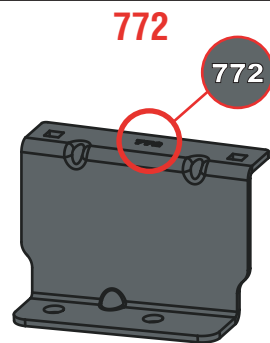
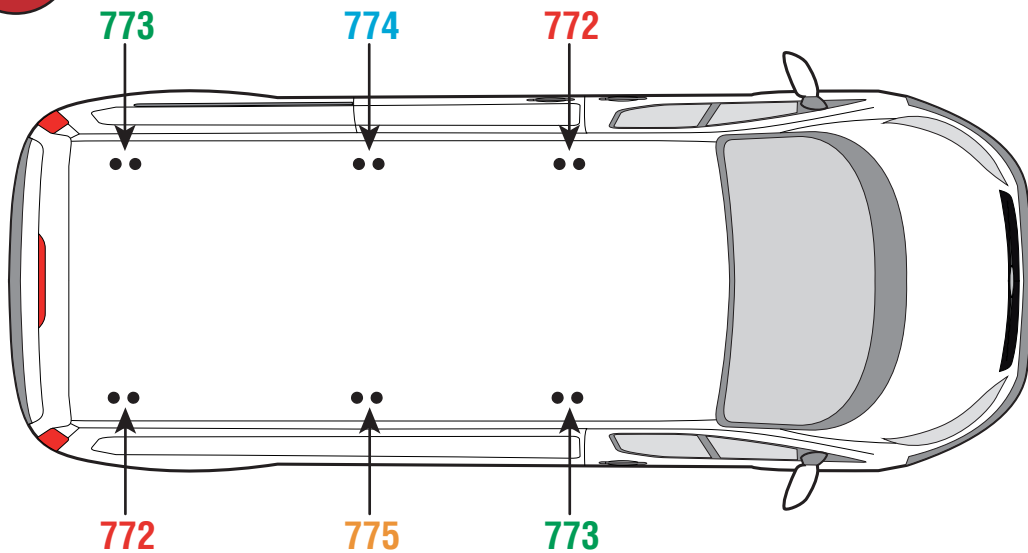
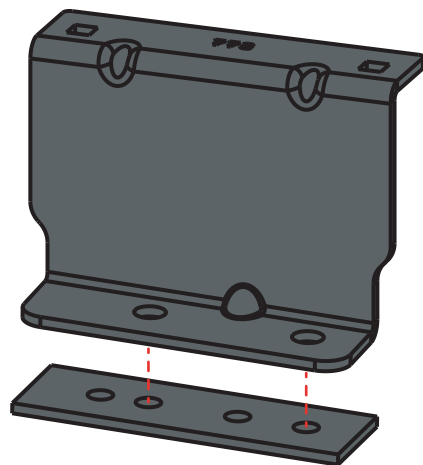
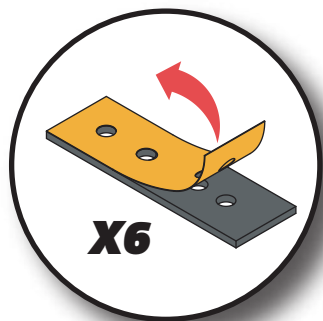
X3

2



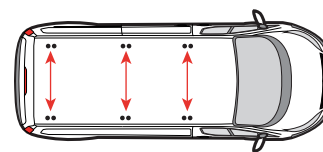
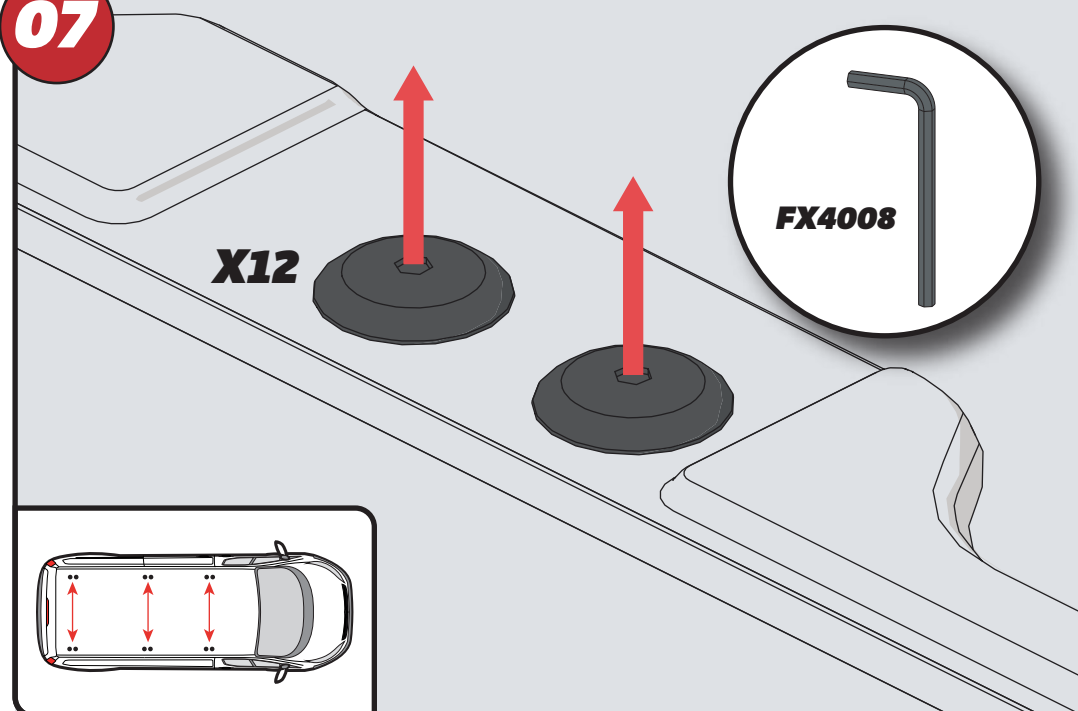
X5

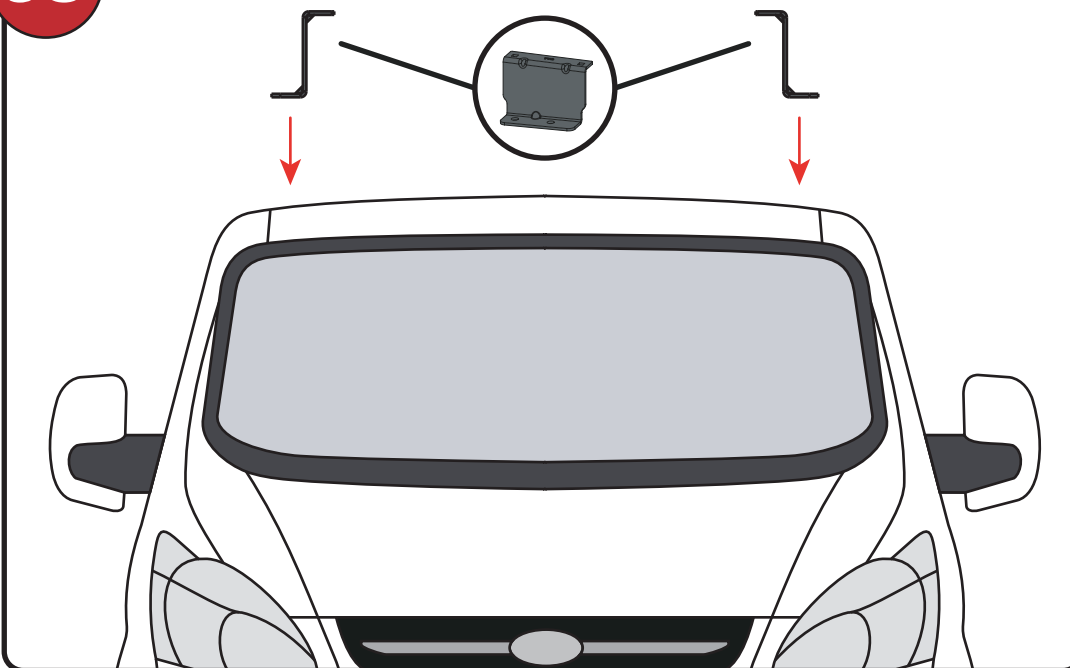
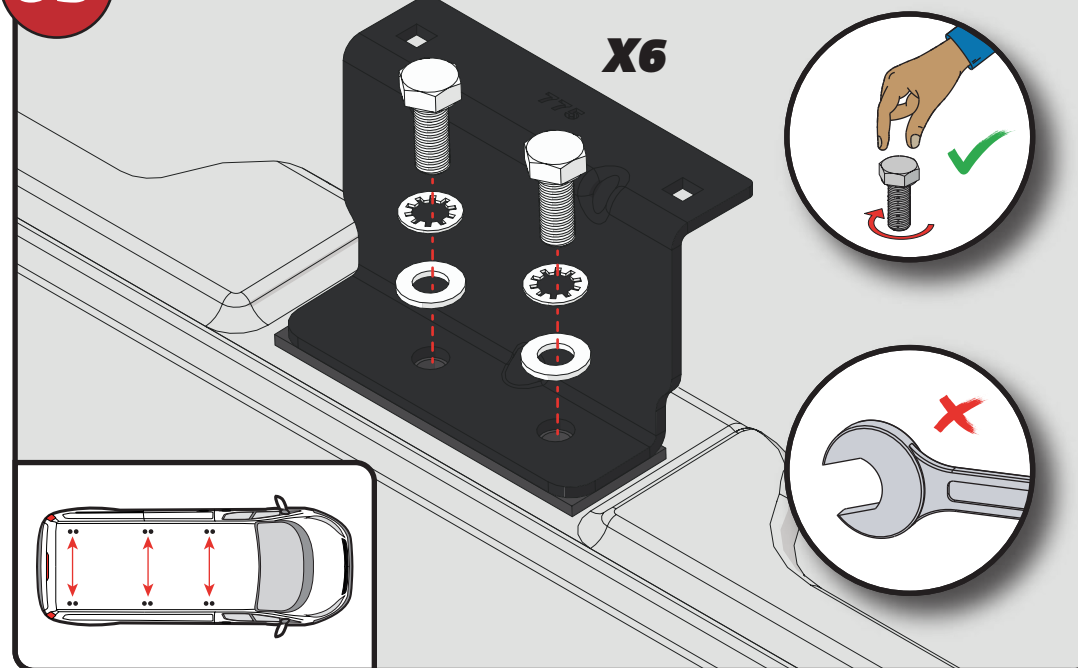
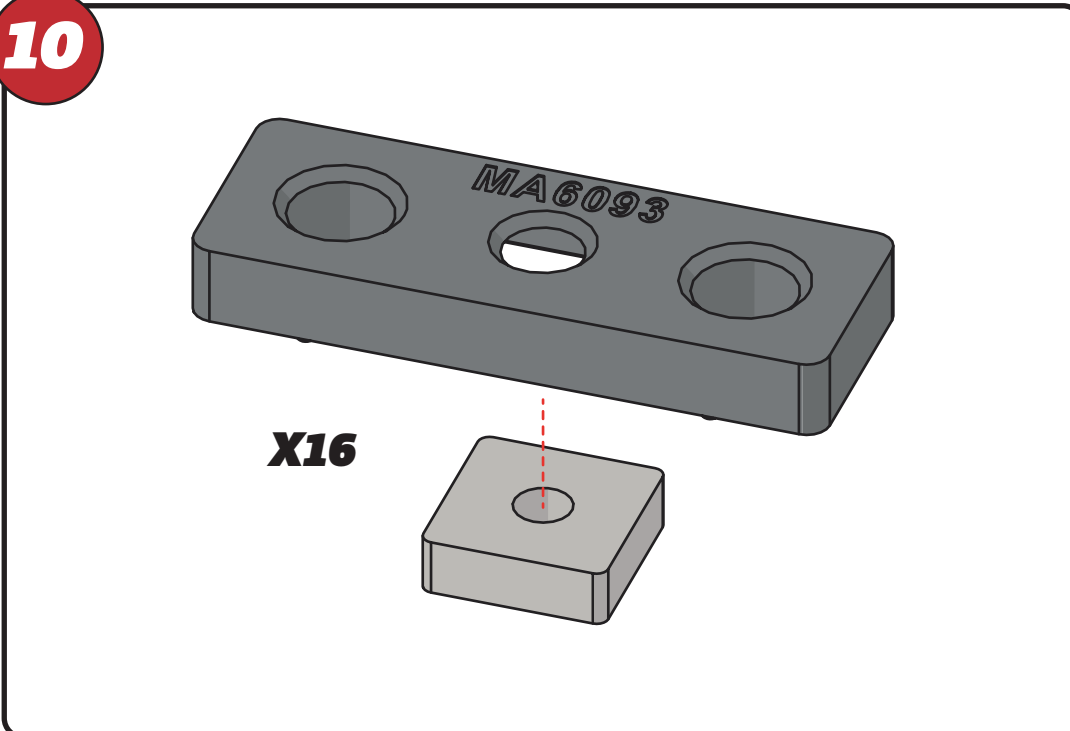
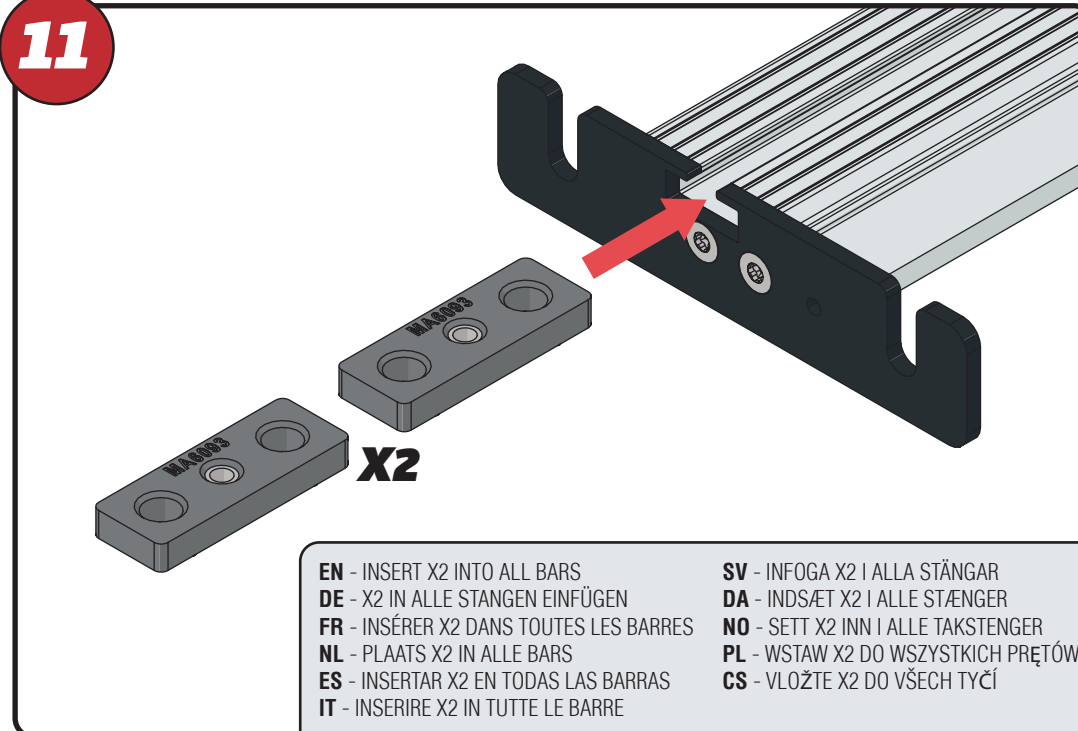


05**06**

EN - STICK GASKETS TO ALL BRACKETS
 DE - KLEBEN SIE DIE DICHTUNG AN ALLEN HALTERUNGEN
 FR - COUSSINETS ADHÉSIFS À TOUS LES SUPPORTS
 NL - PLAK PAKKING OP ALLE BEUGELS
 ES - PEGA LAS ALMOHADILLAS A TODOS LOS SOPORTES
 IT - ADESIVI GUARNIZIONI A TUTTE LE STAFFE

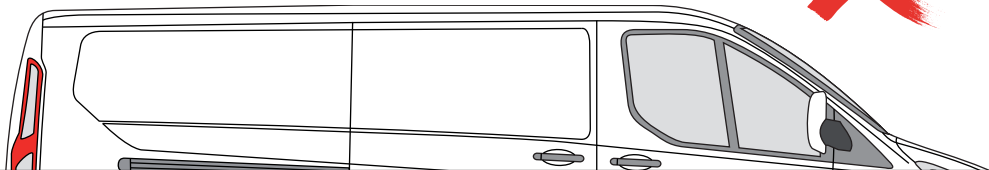
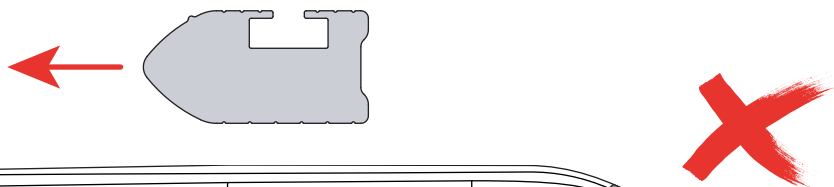
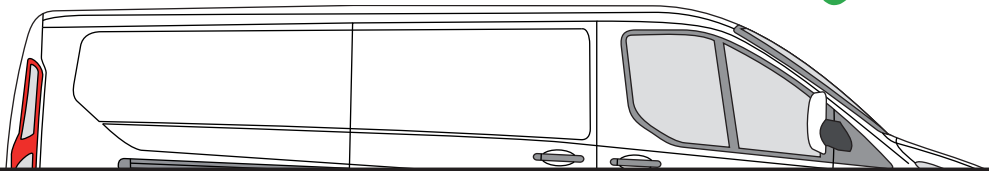
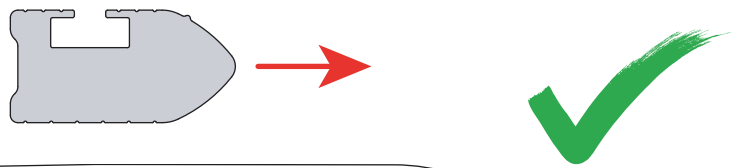
SV - FÄST GUMMI PÅ ALLA FÄSTEN
 DA - KLÆB GUMMI PÅ ALLE BESLAG
 NO - PLIST GUMMI PÅ ALLE BRAKKETTER
 PL - NAKLEJ USZCZELKI DO WSZYSTKICH WSPORNIKÓW
 CS - PŘILEPTE TĚSNĚNÍ NA VŠECHNY DRŽÁKY

07

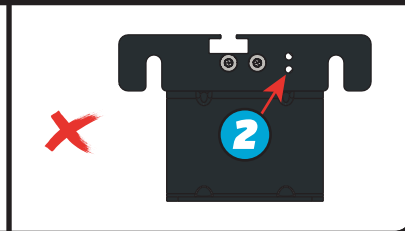
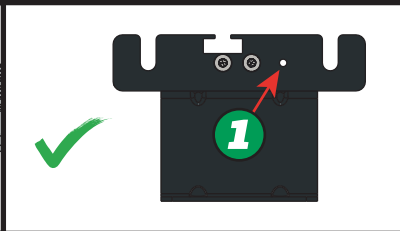
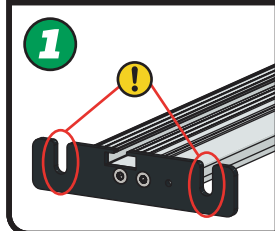
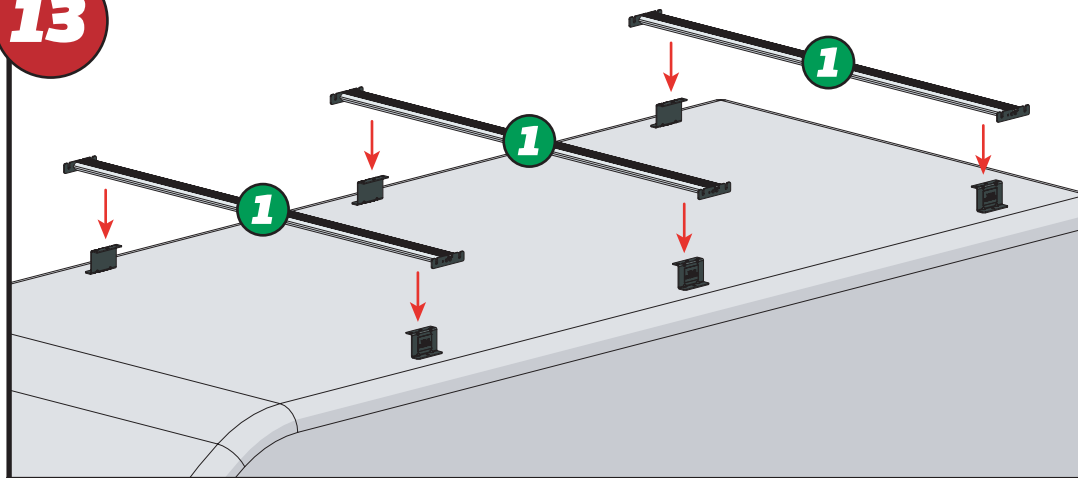
08**09****10****11**

EN - INSERT X2 INTO ALL BARS
DE - X2 IN ALLE STANGEN EINFÜGEN
FR - INSÉRER X2 DANS TOUTES LES BARRES
NL - PLAATS X2 IN ALLE BARS
ES - INSERTAR X2 EN TODAS LAS BARRAS
IT - INSERIRE X2 IN TUTTE LE BARRE
SV - INFOGA X2 I ALLA STÄNGAR
DA - INDSÆT X2 I ALLE STÆNGER
NO - SETT X2 INN I ALLE TAKSTENGER
PL - WSTAW X2 DO WSZYSTKICH PRĘTÓW
CS - VLOŽTE X2 DO VŠECH TYČÍ

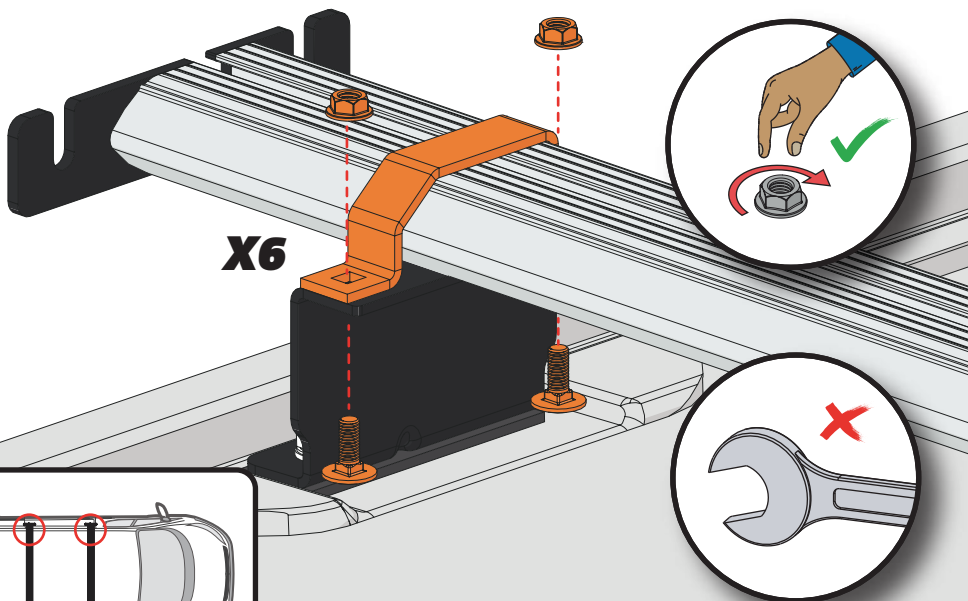
12



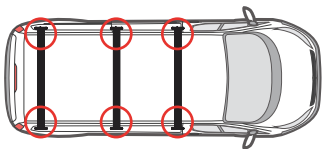
13



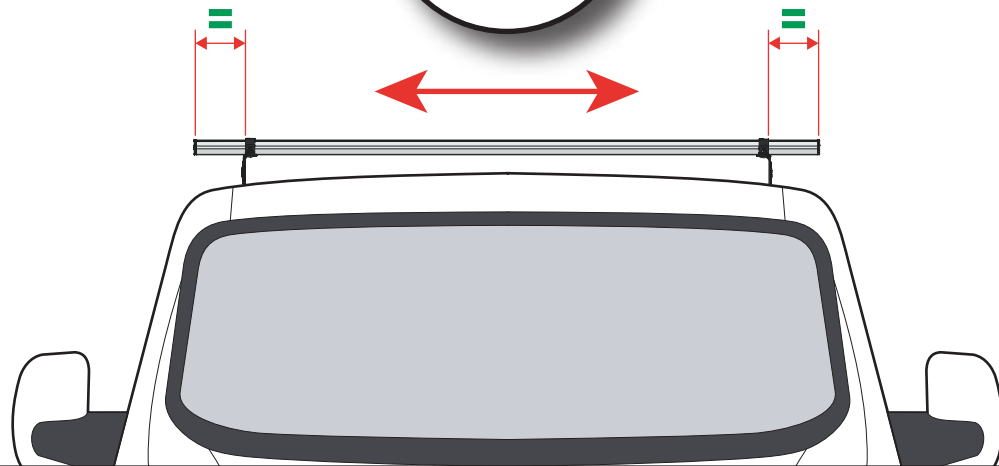
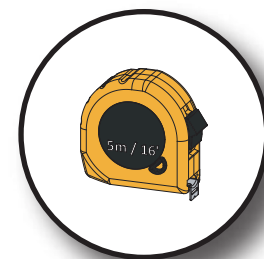
14



X6



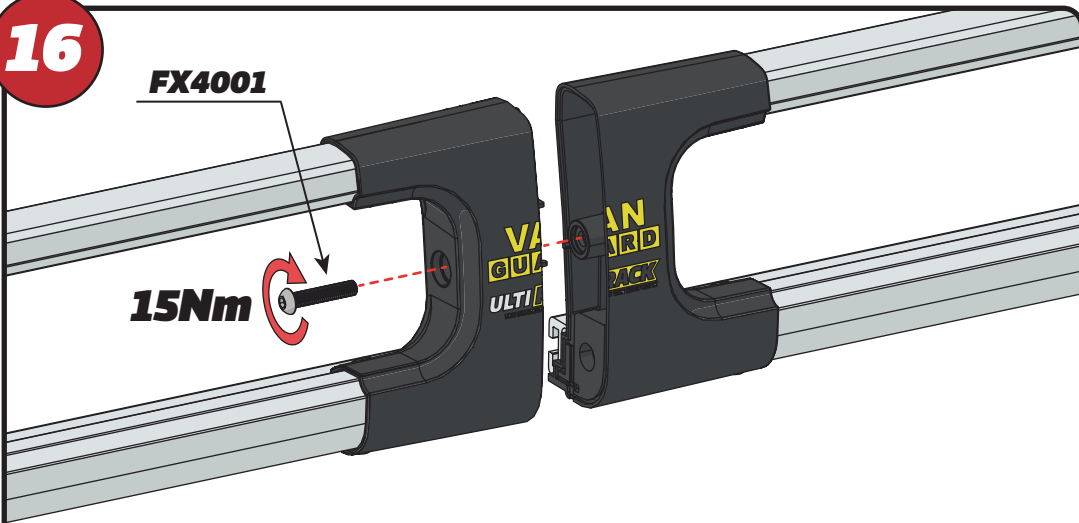
15



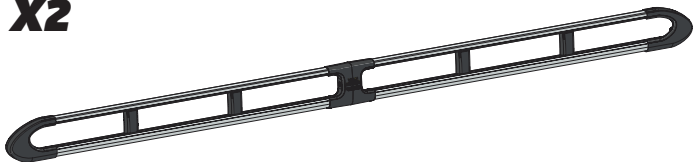
16

FX4001

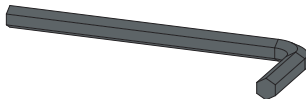
15Nm



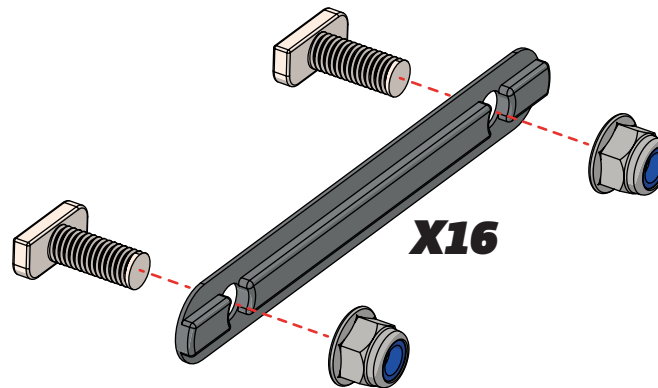
X2



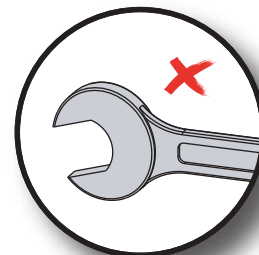
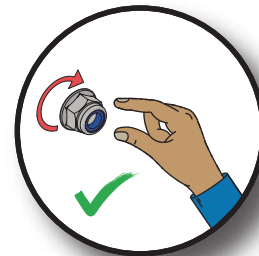
FX4008



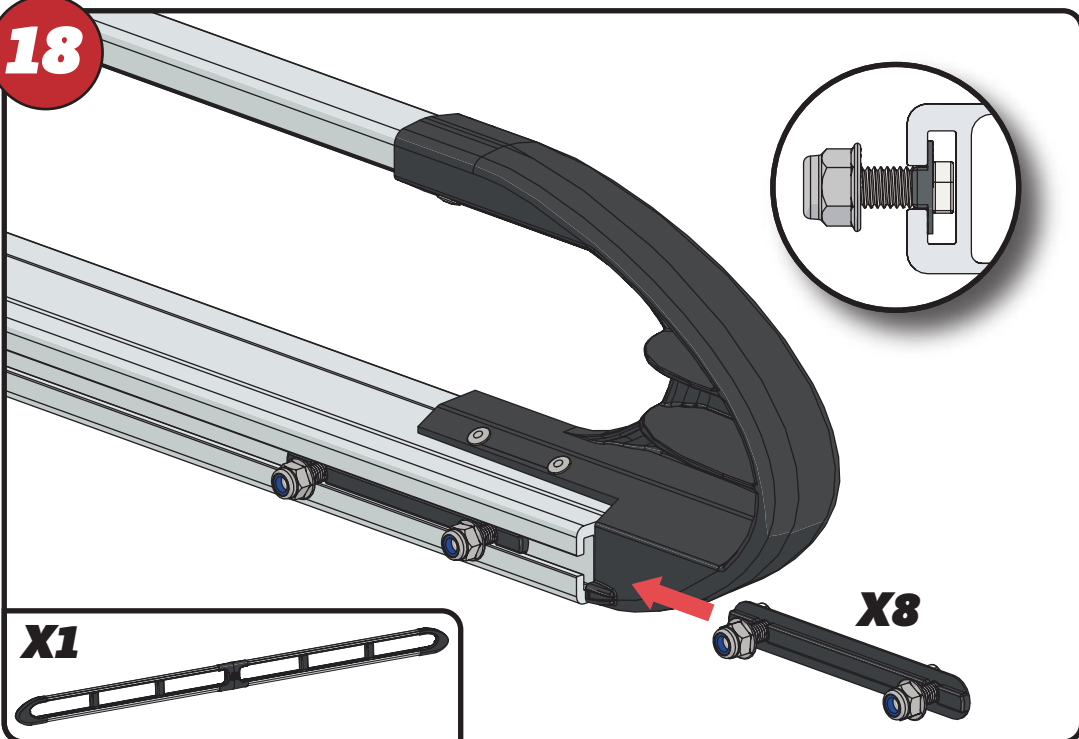
17



X16



18



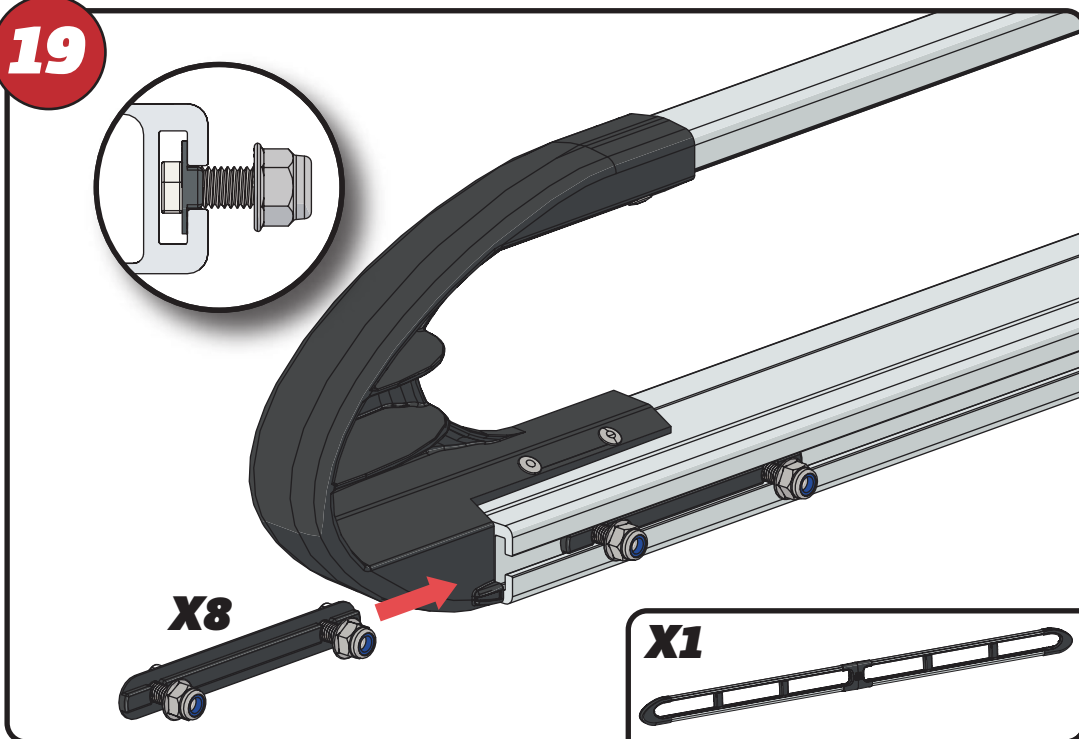
X1



X8



19



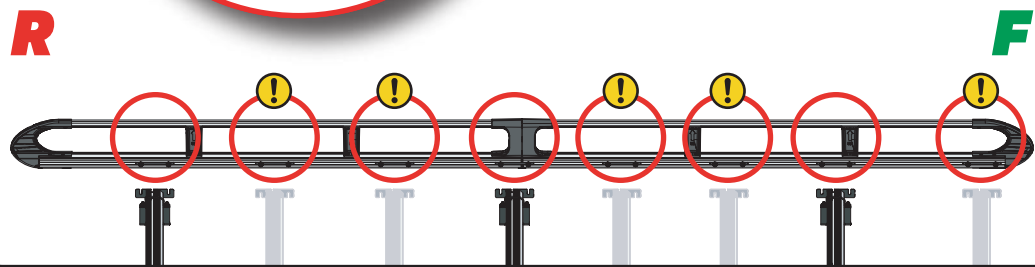
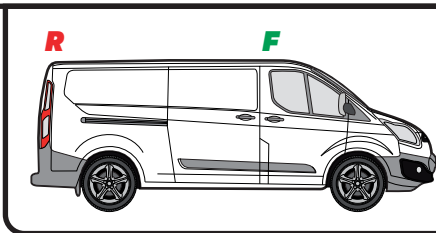
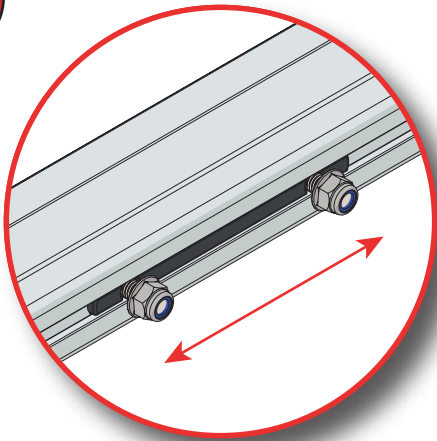
X8



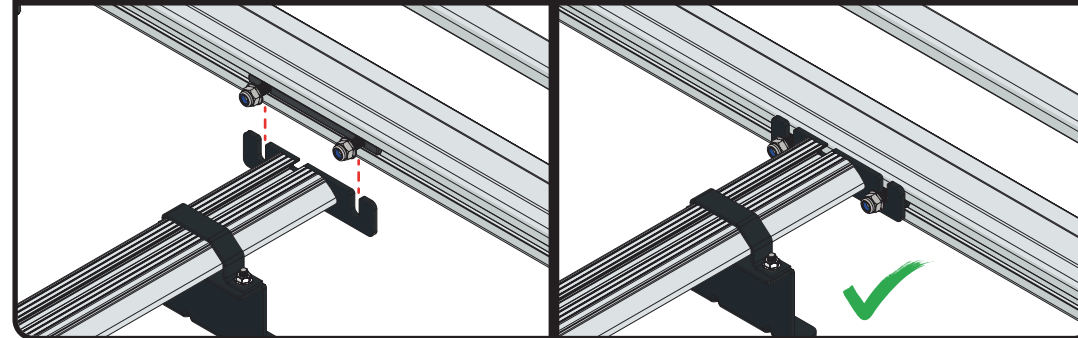
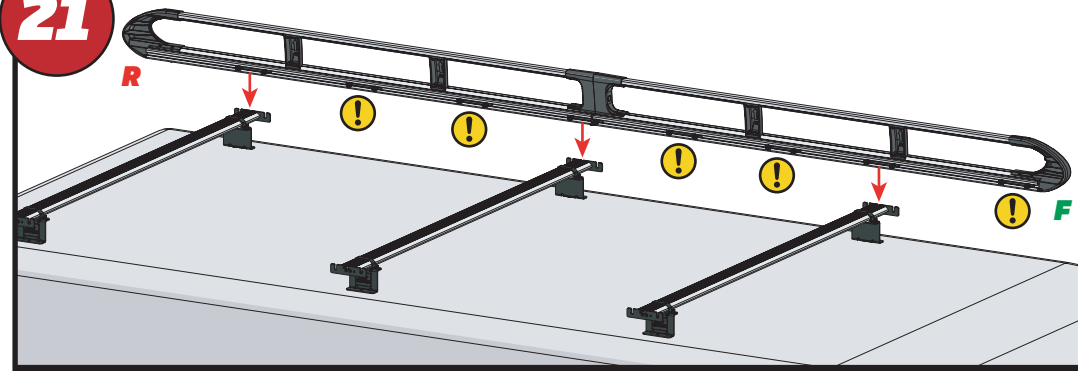
X1



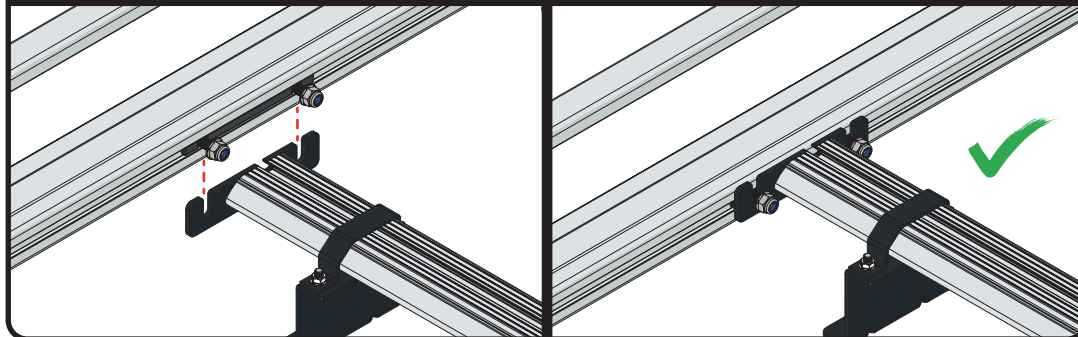
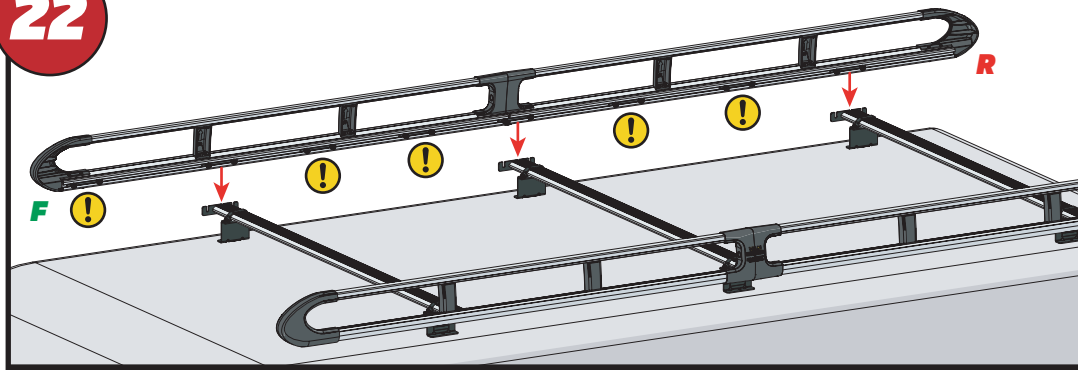
20



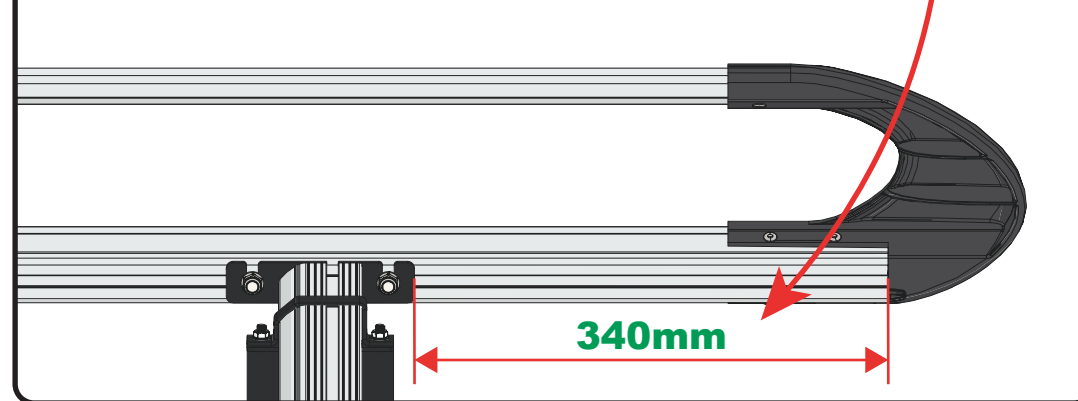
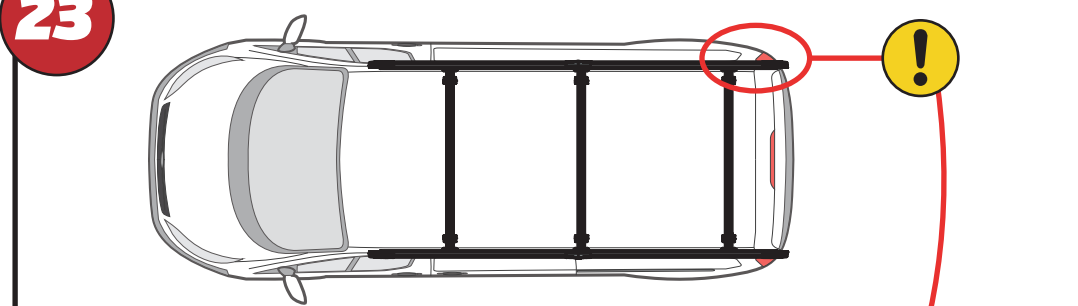
21

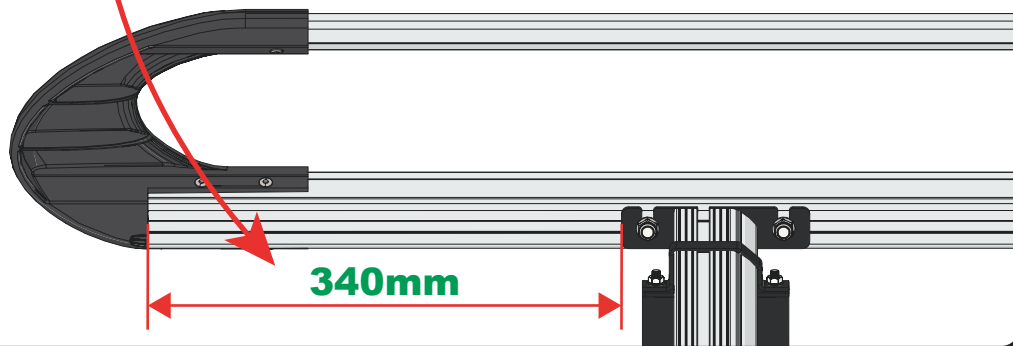
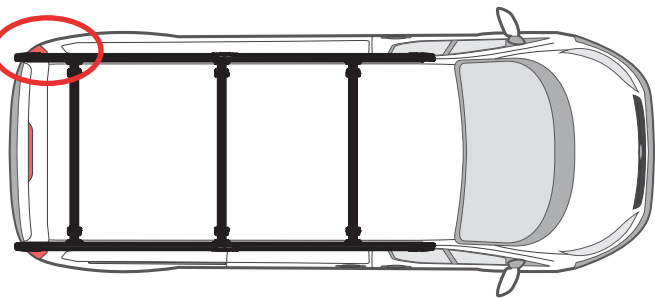
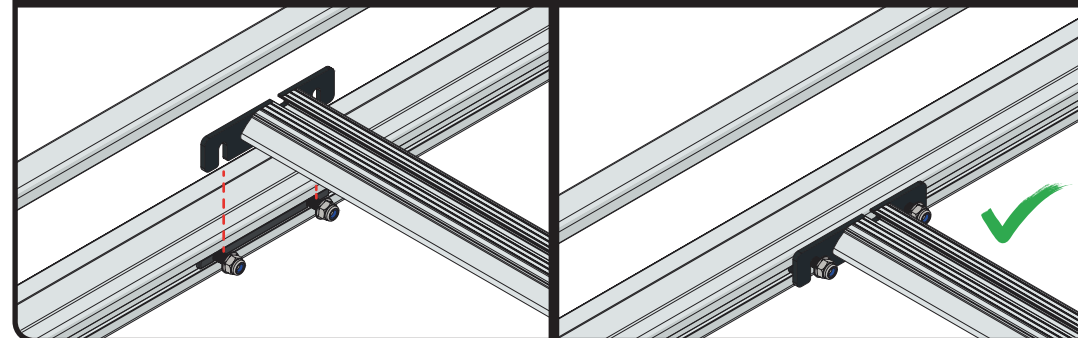
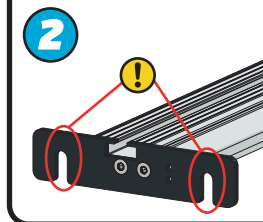
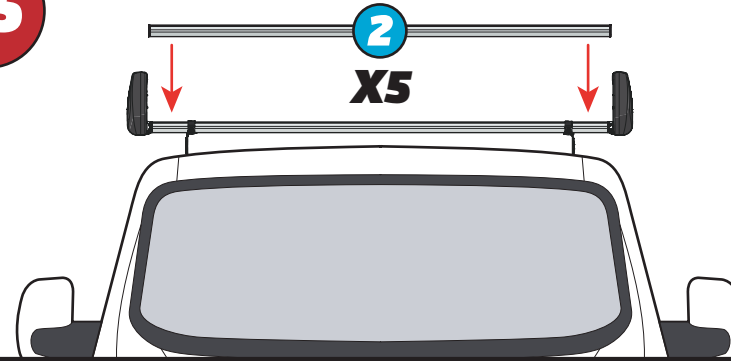


22

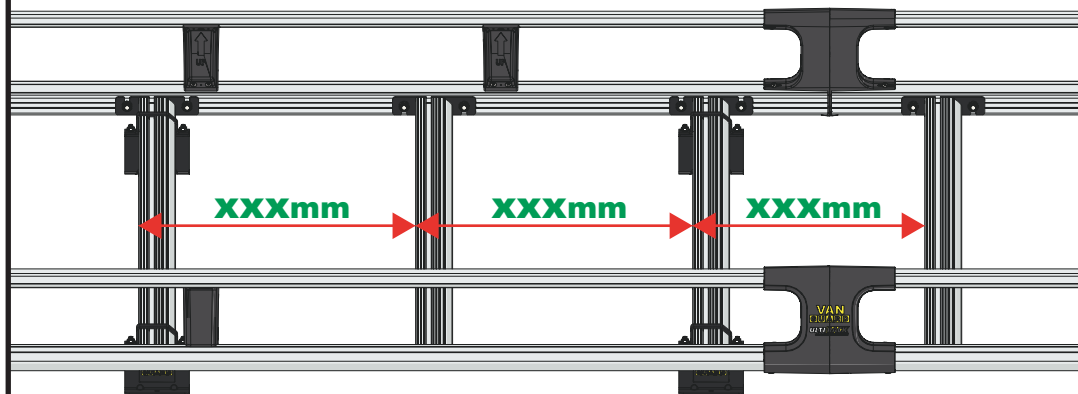
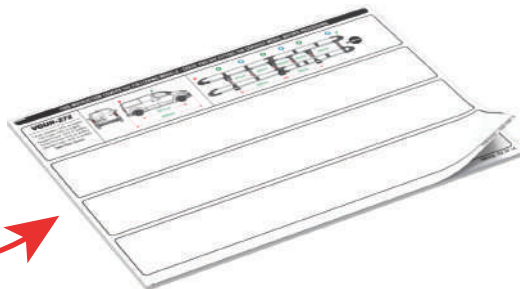
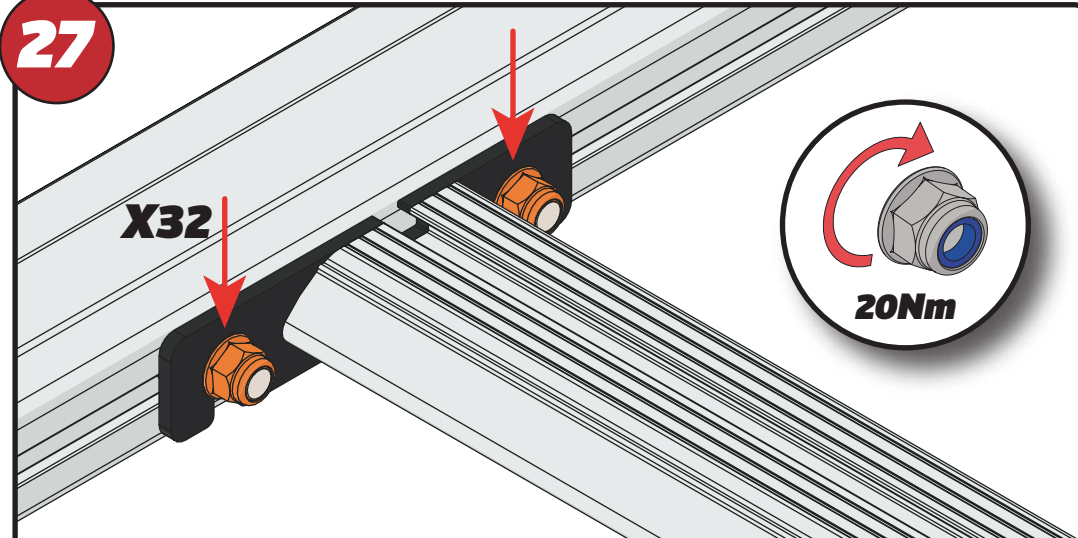


23



24**25****26**

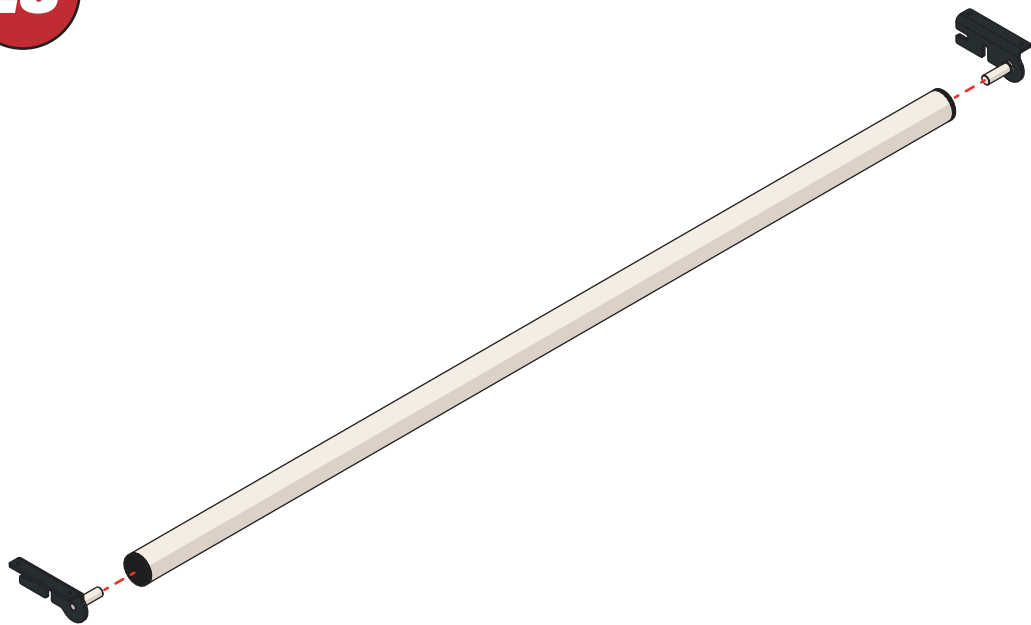
XXX =
PAGE 2 OF 14

**27**

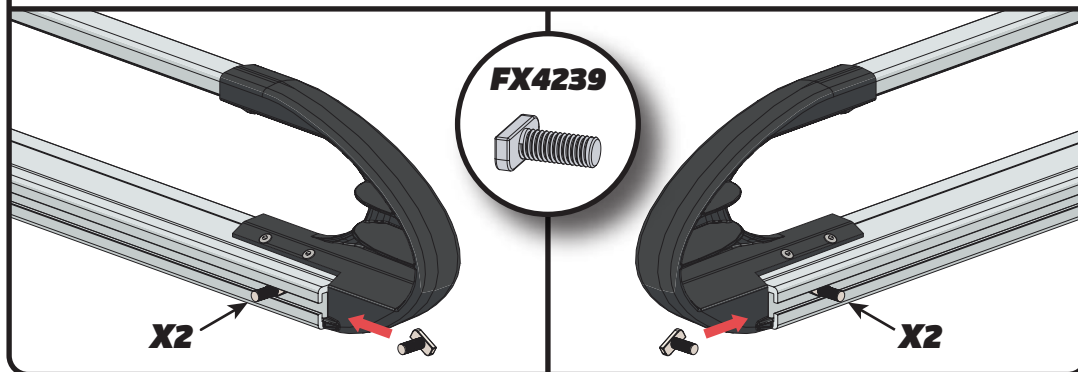
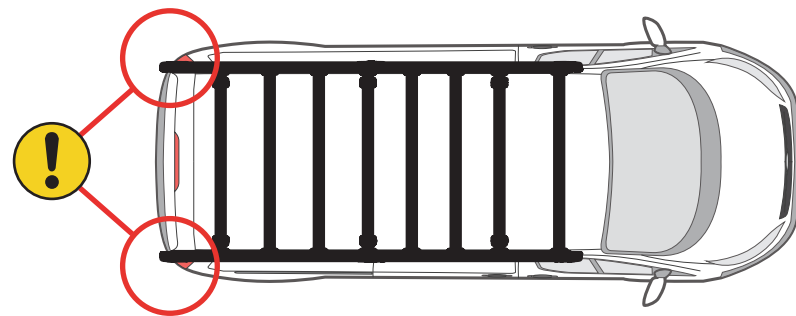
EN - TIGHTEN ALL OF THE CROSS BARS
 DE - ALLE QUERSTANGEN FESTZIEHEN
 FR - SERREZ TOUTES LES BARRES TRANSVERSALES
 NL - DRAAI ALLE DWARSBALK VAN HET DAK AAN
 ES - APIRIETE TODAS LAS BARRAS TRANSVERSALES
 IT - STRINGERE TUTTE LE BARRE TRASVERSALI

SV - SKRU UPP ALLA KORSSTANGAR
 DA - SKRU ALLE TAGBØJLER OP
 NO - SKRU OPP ALLE TVERRSTENGER
 PL - DOKRĘCIĆ WSZYSTKIE POPRZECZKI
 CS - VŠECHNY PŘÍČNÉ TYČE SEŠROUJTE

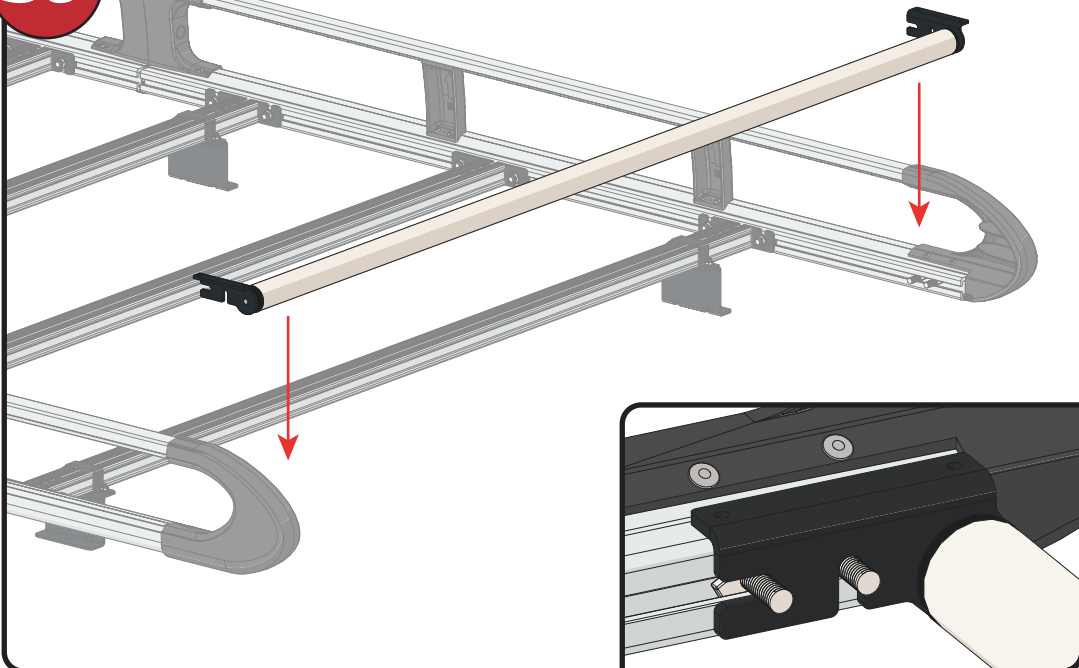
28



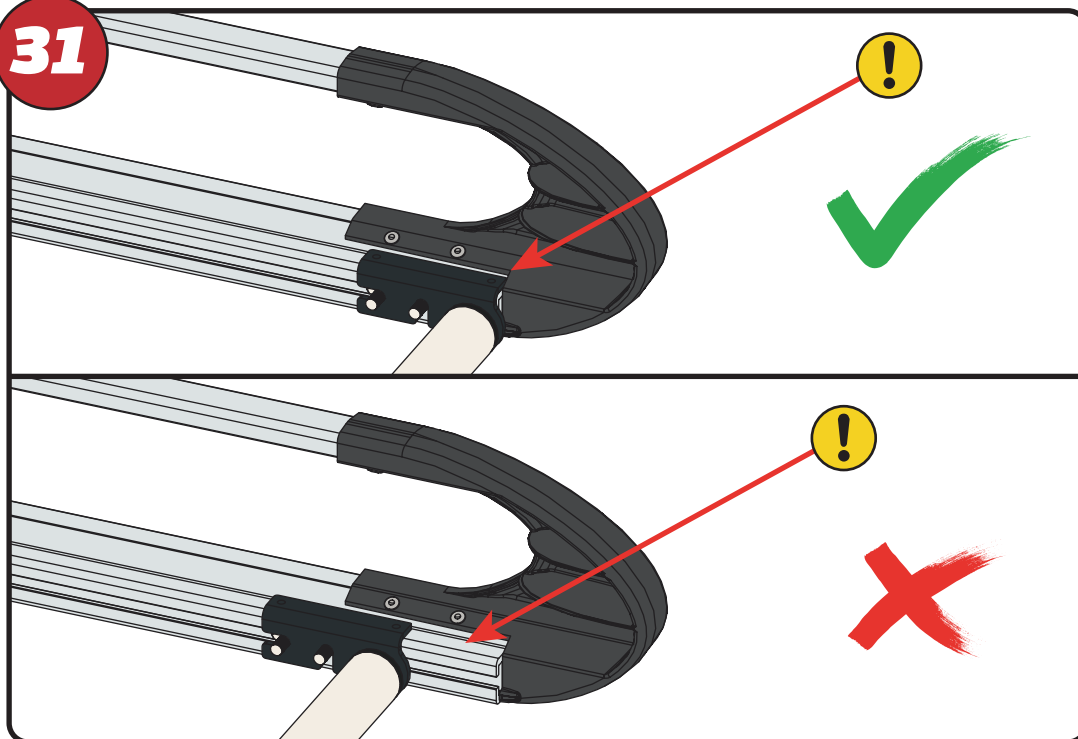
29



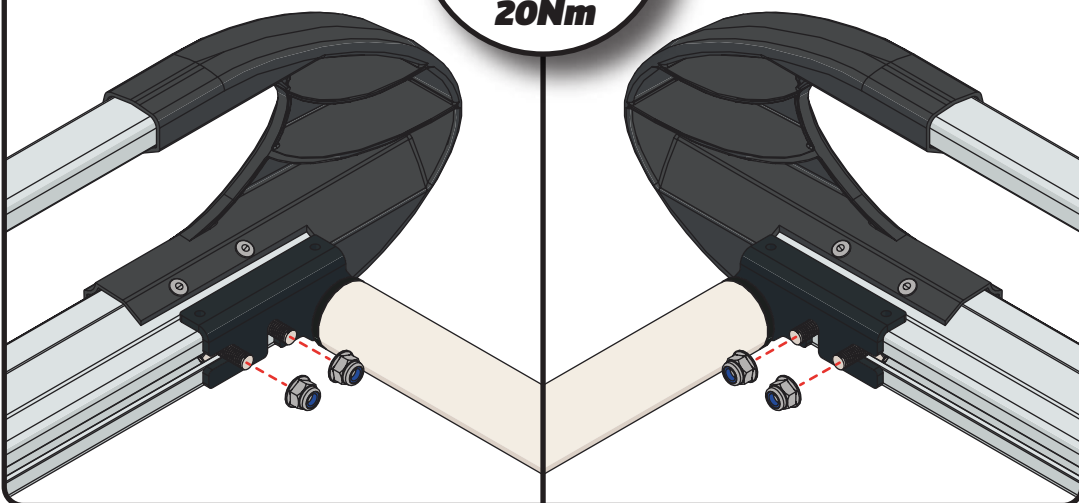
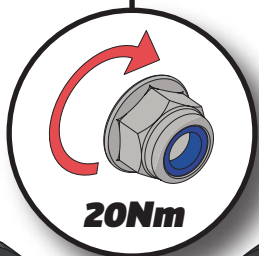
30



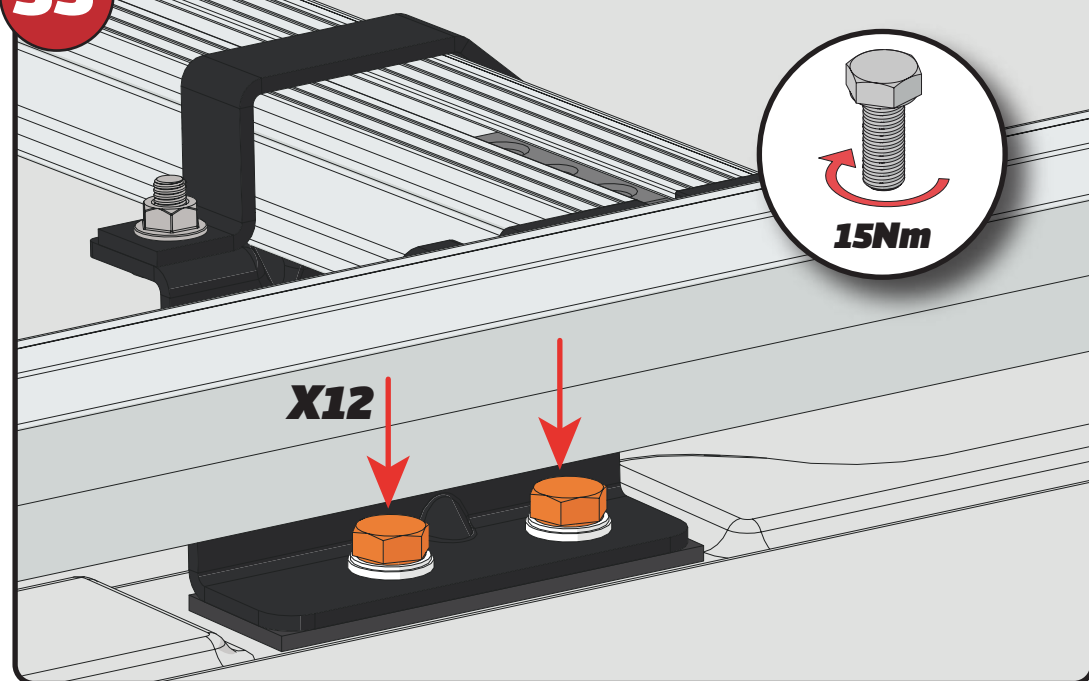
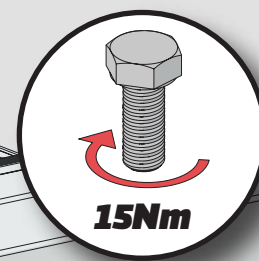
31



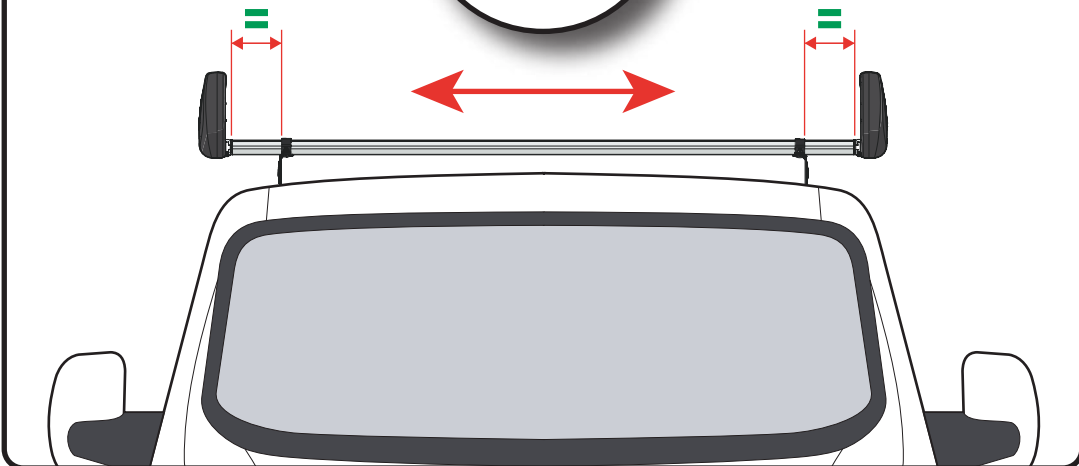
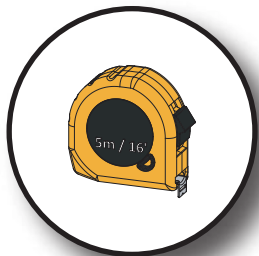
32



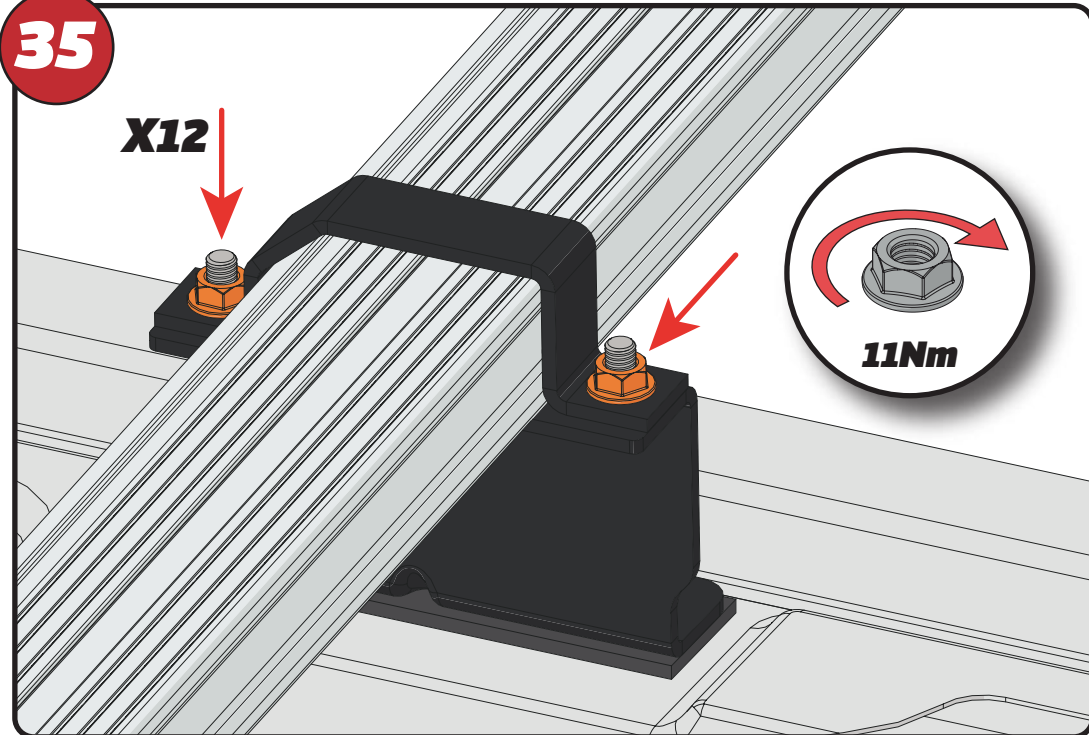
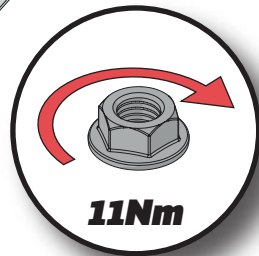
33



34



35

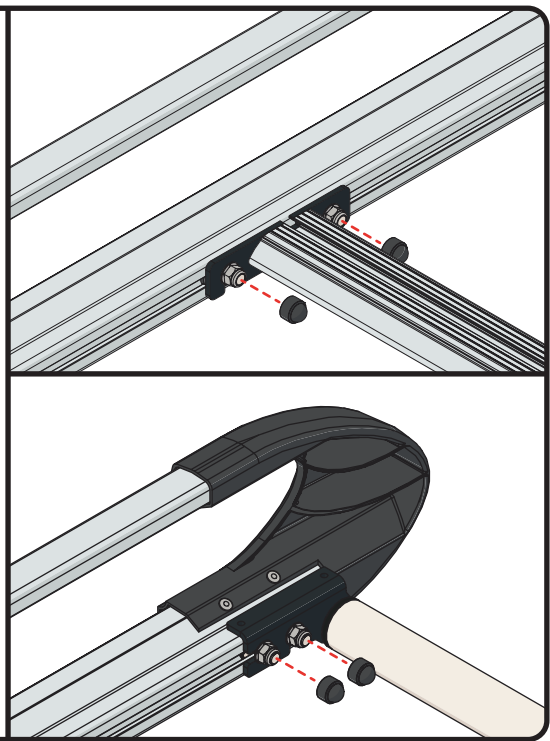


36



FX4241

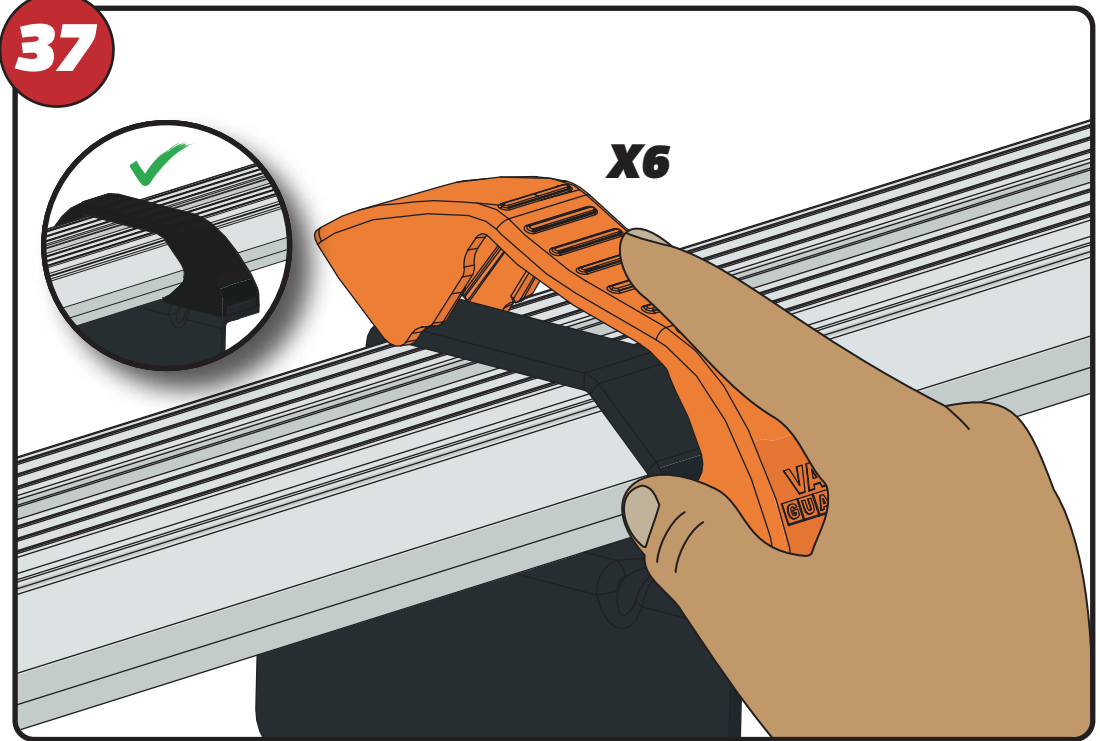
X36



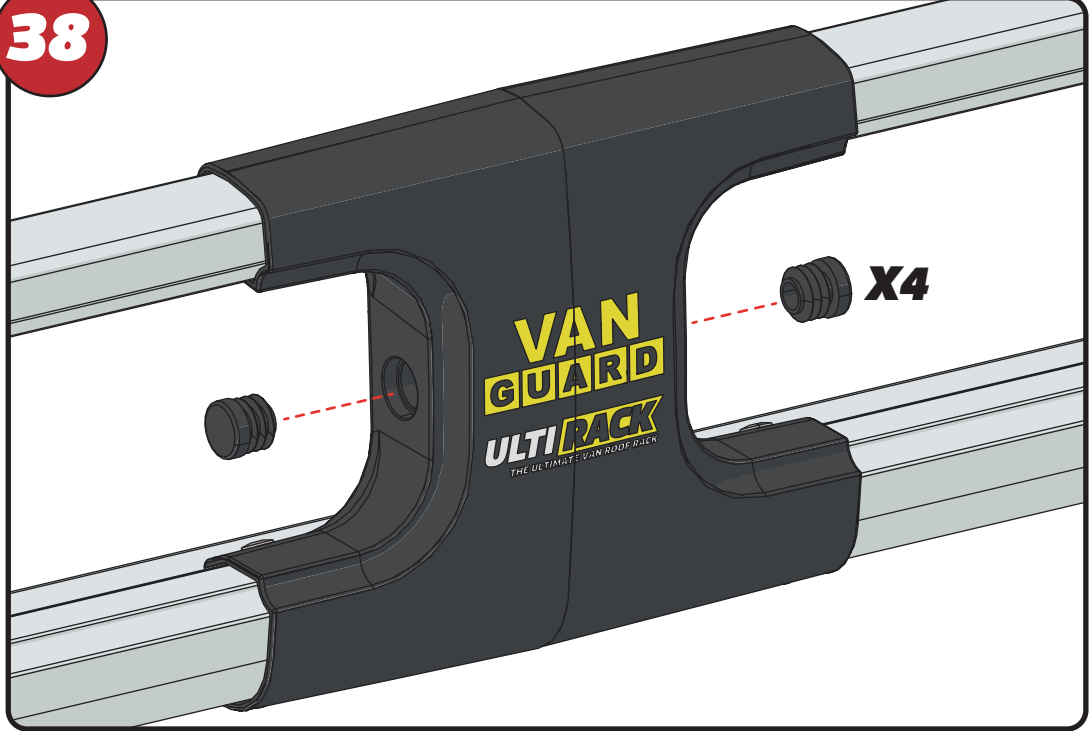
37



X6



38



VAN GUARD
ULTIRACK
THE ULTIMATE VAN ROOF RACK

X4

39

